

LIGHT IT LIVE IT



Marvel S2P



Adopts 200W CW LED light source
 Total luminous flux 6,900 lumens
 Beam Angle 12° ~22° zoom
 CCT 23000K

OPTIC

- Source: 200W CW LED
- Output: 6900 Lm
- Beam angle: 12 ~ 22°
- CCT: 23000K
- CRI: 77
- Lens diameter: 80 mm
- Source lifetime: 20000 H

EFFECT

- Strobe: 1~25Hz
- LED refresh rate: 900Hz~25KHz
- Rotation gobo wheel: 6 + 1
- Rotation gobo size: Outer diameter 16.5mm/Inner diameter 9mm/Thickness 1.1mm
- Color wheel: Wheel 1 (8 + 1) / Wheel 2 (8 + 1)
- Prism: 6 fact prism + 5 linear
- Frost: Light frost + Heavy frost

CONTROL & PROGRAM

- Channel: 19/21/25 CH
- Protocol: DMX512, RDM
- Data connector: 3PIN XLR
- Display: 1.8 inches touch screen, the operation panel has a rechargeable battery that allows you to access the menu to set the address code and make other settings without power on

SOFTWARE

- Via USB & DMX signal to update
- Static waterproof fan, intelligent speed control
- Intelligent temperature protection to ensure LED service life

PAN & TILT MOVEMENT

- Pan: 540° or 630° 8bit/16bit
- Tilt: 270° 8bit/16bit

HOUSING

- Aluminum alloy structure + plastic (VO)
- Fan cooling

POWER CONSUMPTION

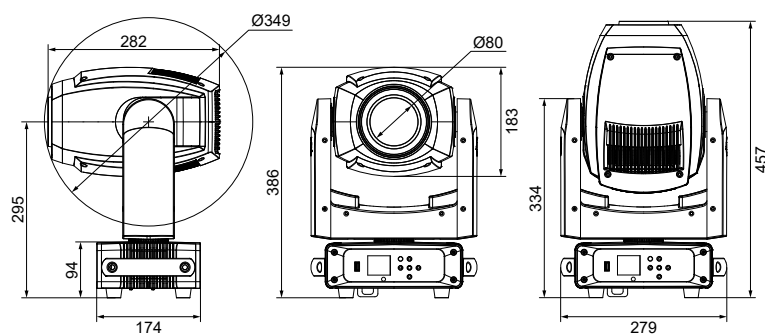
- Voltage: AC 100V~240V 50/60Hz
- Rated power: 300 W

OTHER

- IP rating: IP30
- Work environment: -40°C ~ 45°C
- Startup environment: -20°C ~ 45°C

SIZE & WEIGHT

- Size: 279 × 183 × 463 mm
- N.W: 11 kgs



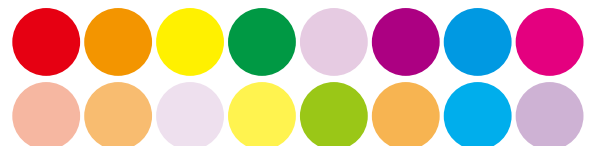
PHOTOMETRICAL DATA

Distance(m)	0	5	8	10	12
Lux 12°		5604	2216	1411	978
Diameter(m)		1.05	1.68	3.78	2.52
Lux 22°		2671	1098	663	467
Diameter(m)		1.94	3.11	3.89	4.62

ROTATION GOBO



COLOUR



PRISM



FROST

