

LIGHT KIT



FC Halonel Pro

- 250W RGBAL LED
- BEAM ANGLE 8° ~ 48°
- 2400 ~ 8500 CCT
- 7700Lm OUTPUT
- Ra97+ CRI
- R997+ CRI
- 7 Kinds CHANNEL
- 512 DMX
- RDM
- 277W
- IP66

Adopts 250W RGBAL LED
 Total luminous flux 7700 Lm
 Zoom Range: 8~48°
 CCT: 2400~8500K
 Ra/97, R9/97
 IP66

OPTIC

- Source: 250W RGBAL LED
- Output: 7700 Lm
- Zoom range: 8~48°
- CCT: 2400K ~ 8500K
- CRI: 97
- R9: 97
- Source lifetime: >20000 H

EFFECT

- Strobe: 1 ~ 25Hz
- Dimmer Curve: 4 kinds

CONTROL & PROGRAM

- Channel: 1CH/8CH/Standard 14CH/20CH/ RGB Extended 16CH/ CMY Extended 16CH /X,Y Extended 14CH
- Protocol: DMX512, RDM
- Data connector: 3 PIN (or 5 PIN) XLR
- Display: OLED display

SOFTWARE

- Via DMX signal to update
- Intelligent temperature protection to ensure LED service life

HOUSING

- Aluminum alloy structure
- Fan cooling

POWER CONSUMPTION

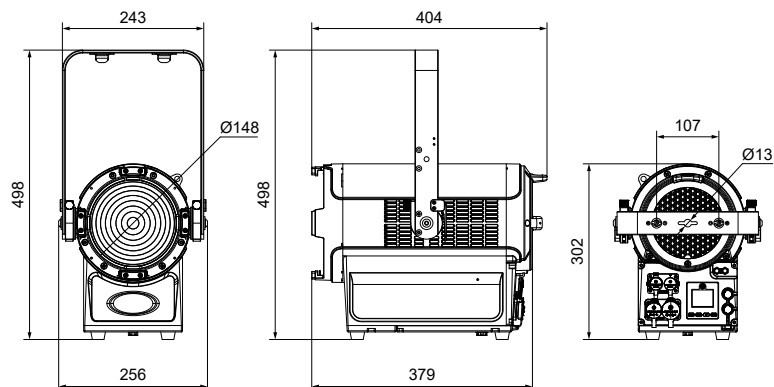
- Voltage: AC 100V~240V 50/60Hz
- Rated power: 277 W

OTHER

- IP rating: IP66
- Work environment: -40°C ~ 45°C
- Startup environment: -20°C ~ 45°C

SIZE & WEIGHT

- Size: 256 × 404 × 498 mm
- N.W: 10.5 kgs



PHOTOMETRICAL DATA

Distance(m)	0	3	5	8	15	20
8~48° Ra: 97 R9: 97						
Lux 8°		18.3K	7K	2860	1830	814
Diameter(m)		0.42	0.70	1.12	1.40	2.10
Lux 48°		2580	1050	476	305	135
Diameter(m)		2.67	4.45	7.12	8.90	13.36