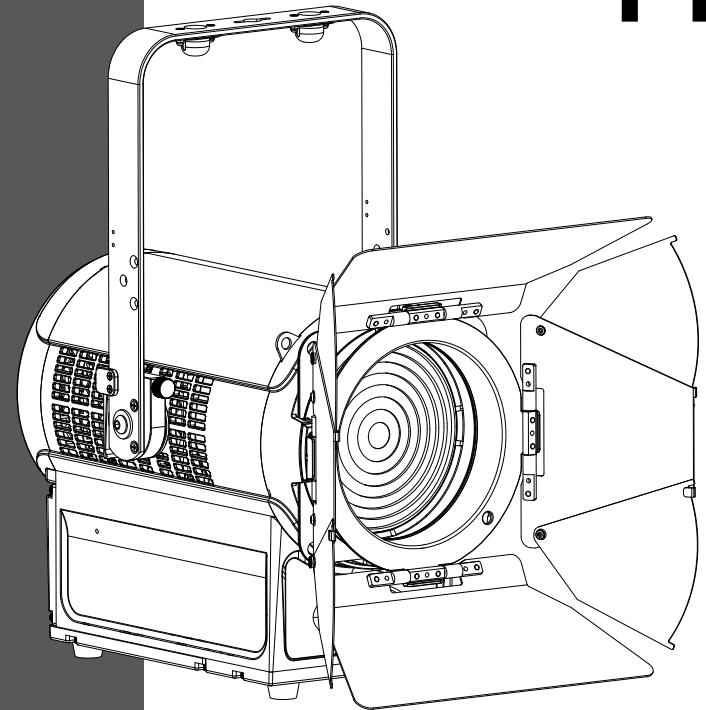




FC Halonel Pro



www.ckclighting.com

CKC LIGHTING CO.,LTD

Addr.:335 Nansha Avenue, Tung Chung Town,
Nansha District, Guangzhou City, China.
TEL: (020)3920 4506 FAX: (020)3920 4631
WEB: www.ckclighting.com



Before carrying out any installation, maintenance, or cleaning of the lighting fixtures, please confirm that the power has been cut off! Before using this fixture, please read this manual. Our company reserves the right to change product design and specifications without prior notice.

CONTENTS

1. Security Warning Information	1
2. Product Introduction	3
2.1 Exterior dimensions	3
2.2 Fixture packaging accessories	3
3. Main technical parameters of the equipment	3
4. Packaging and transportation	4
4.1 Disassemble packaging	4
4.2 Equipment installation	4
5. Installation Requirements Explanation	5
5.1 Clamp installation	5
5.2 Fixture installtion	5
5.3 Hanging Installation Diagram	6
5.4 Barndoor and Gel frame installation	6
6. Power and signal connection	6
6.1 Power and signal socket	6
6.2 Power Connect	7
6.3 Signal Connect	7
7. Control panel	8
7.1 Panel Introduction	8
7.2 System menu	9
8. DMX control channel table	11
9. Control circuit diagram	15
10. Regular maintenance	15
10.1 Cleaning and maintenance	15
10.2 Fault analysis and handling	16

★ Statement ★

- This manual contains important information on safe use and installation. Please read it carefully and follow the requirements for operation and installation. Please keep this manual properly;
- The equipment has good performance and complete packaging when it leaves the factory. The operator should strictly follow the warning items and operating instructions stated in the manual. Any malfunction or damage caused by misuse or neglect of the manual is not within the scope of our company's responsibility and warranty;
- The relevant information in this manual is for reference only. All lighting products are subject to the actual product. Any changes will not be notified separately, and our company reserves the right of final interpretation.

1. Security Warning Information



Attention !

Please read the safety requirements information in this section carefully before installing, powering on, operating, or repairing the lighting fixtures.



- This product is for professional use and is not suitable for other purposes;
- After receiving the lighting fixtures, please check if the packaging is complete and unpack to check if the equipment has been damaged due to transportation. If there is any damage caused by transportation, please do not use this lamp and contact local technicians or manufacturers as soon as possible;
- When transporting again, please use the original packaging materials;
- If there is obvious damage to the machine casing, it should be replaced in a timely manner;
- When hanging lamps, it is necessary to verify that the hanging equipment can withstand more than 6 times the weight of the lamp. After installation, it is necessary to verify that the lamp cover and installation buckle are secure and undamaged. At the same time, a safety rope should be used as an auxiliary safety for the lamp and fixed on the truss;
- The light source inside this luminaire should be replaced by the manufacturer, its service agent, or a similarly qualified person;
- If you have any other questions about how to safely operate the equipment, please contact our technical personnel or call our service hotline;
- This product has a protection level of IP66 and can be used both indoors and outdoors;



- Lighting fixtures should be kept clean and avoid prolonged use in overheated or dusty environments to prevent contact with chemical liquids;
- When using the product, attention should be paid to avoiding serious or fatal injuries caused by fire, heat, electrical shock, and ultraviolet radiation. Before powering on or installing, read the instruction manual first. Follow the safety precautions for operation and pay attention to the warning signs on the instructions and equipment;
- Only professionals are allowed to install, operate, and maintain lighting fixtures, and strictly follow the procedures stated in the operating instructions.



- The eyes cannot directly look at the luminous object;
- Do not connect this device to any dimmer;
- If visible damage occurs to the protective casing, lens, and display screen on the lighting fixture, it is considered as damage to the point of loss;
- Please do not place any filters or other items at the light outlet, and do not replace non original parts;
- The minimum safe illumination distance of the lamp is 1m.



- Before installation, please confirm that the power supply voltage used matches the voltage indicated on the light fixture. Each lighting fixture should be properly grounded and electrically installed according to relevant standards;
- Please disconnect the power before repairing or cleaning the equipment;
- During the operation of the lighting fixtures, touching the wires is prohibited to prevent electric shock;
- If the external soft cable or wire of this lamp is damaged, the wire should be replaced by the manufacturer, its agent, or a similarly qualified person to avoid danger;
- Avoid flammable liquids, water, or metal conductors from entering the interior of the lamp to prevent electric shock or fire. If any foreign objects enter the lamp, immediately cut off the power supply;
- When multiple lamps are operated in series, the signal lines can be connected in multiple ways, but the power supply must be connected separately.



- The lighting fixtures work normally at -20 °C to 45 °C . When replacing any components or accessories in the equipment, ensure that the power is disconnected to prevent electric shock and injury;
- The maximum surface temperature of the lamp during operation can reach 67.5 °C , please do not touch it with bare hands.

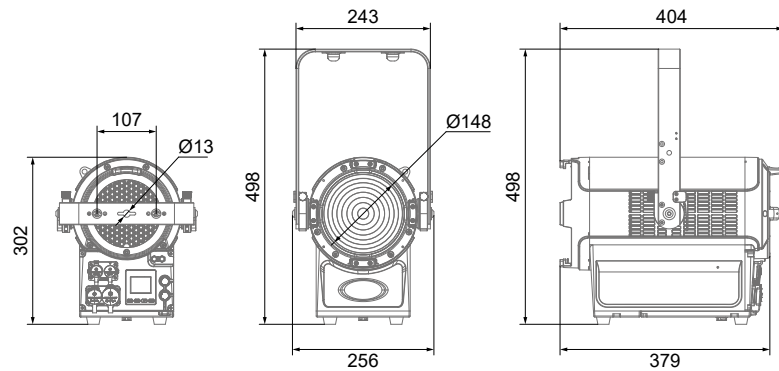


- The lighting fixtures must be installed in a sufficiently ventilated area, at least 0.5m away from adjacent surfaces, to ensure that no ventilation holes are blocked;
- Do not install the lighting fixtures directly on flammable objects;
- The minimum distance between all outer surfaces of the lamp and combustible materials is 0.5m.

2. Product Introduction

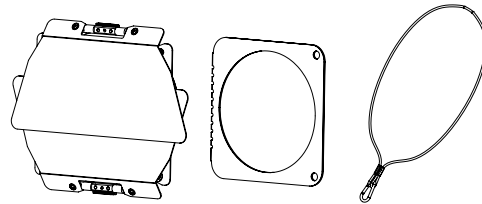
2.1 Exterior dimensions of lighting fixtures

256 × 404 × 498 mm



2.2 Packaging accessories

Name	QTY
Barndoor	1 PCS
Gel frame	1 PCS
Safety cable	1 PCS



3. Main technical parameters of the equipment

Product execution standards: GB43472-2:2023、GB/T 7000.1-2023、GB/T 7000.217-2023

● Electrical parameter

Rated input voltage: AC 100V-240V~ 50Hz/60Hz
 Rated input power: 277 W
 Power factor: 0.99F
 Input Current: 1.3A 220V

● Source lifespan

> 20000 hours

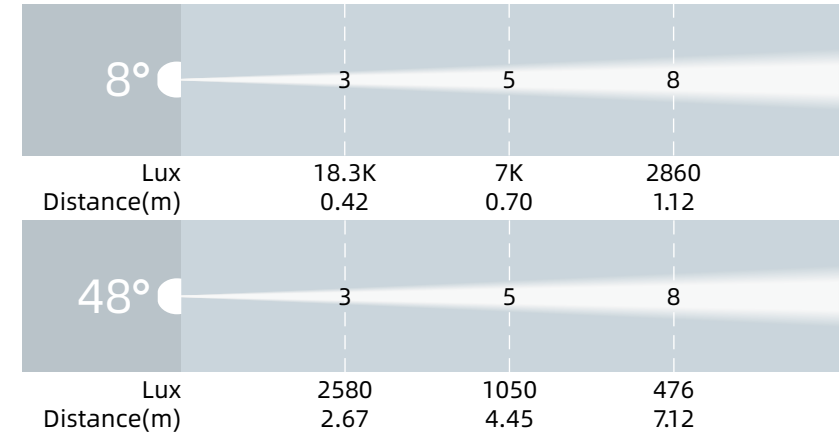
● Optical system

Source: 250W RGBLA LED
 Output luminous flux: 7700 Lm
 CCT: 2400 ~ 8500 K
 CRI: Ra/97 R9/97
 Zoom angel: 8 ~ 48°

● Control and programming

Control channel: 1CH/8CH/Standard 14CH/20CH/ RGB Extended 16CH/
 CMY Extended 16CH /X,Y Extended 14CH
 Protocol: DMX512, RDM
 Data connect: 3 pin or 5pin signal in/out

● Illumination draw



● Other effect function

Fast electronic strobe: 1~25Hz

● Other features and functions

Weight: 10.6 KG

4. Packaging and transportation

4.1 Disassemble packaging



Notice: After receiving the fixture, please unpack and check for any damage caused by transportation. If there is any damage caused by transportation, please do not use this fixture and contact the local technical personnel or manufacturer as soon as possible.

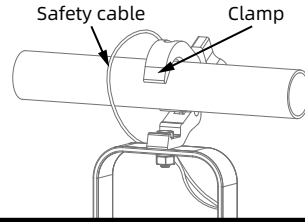
4.2 Equipment packaging

- 1). Disconnect the power supply before packaging the lighting fixtures to allow them to cool completely;
- 2). Flight cases can only be stacked in two layers and are not allowed to be reversed.

5. Installation Requirements Explanation

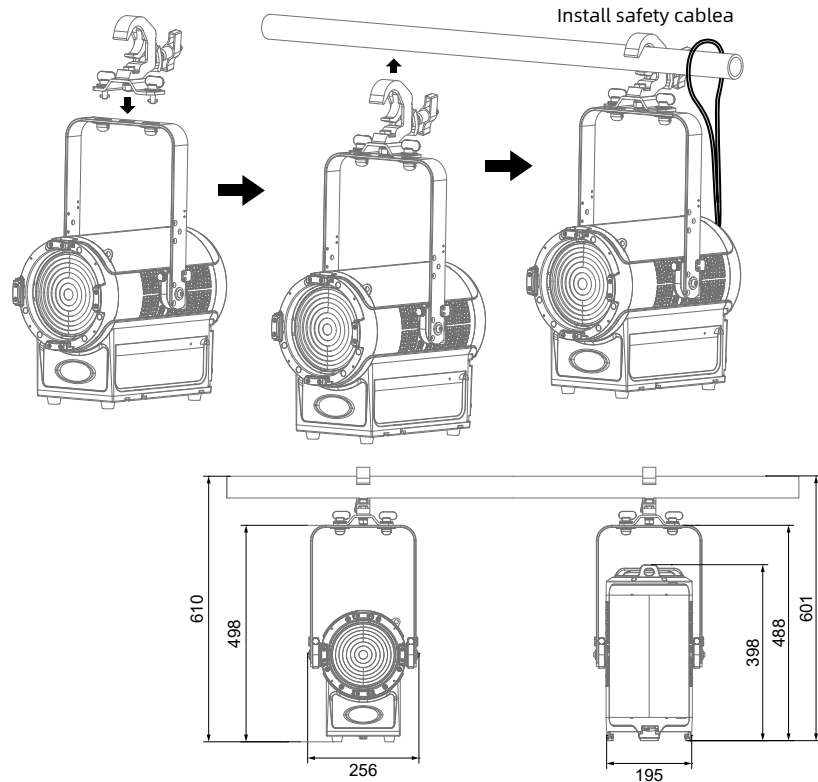
5.1 Clamp install

The lighting fixtures can be installed on the stage or on any direction of the truss, and the clamp can be quickly and easily locked onto the truss.



Warning !

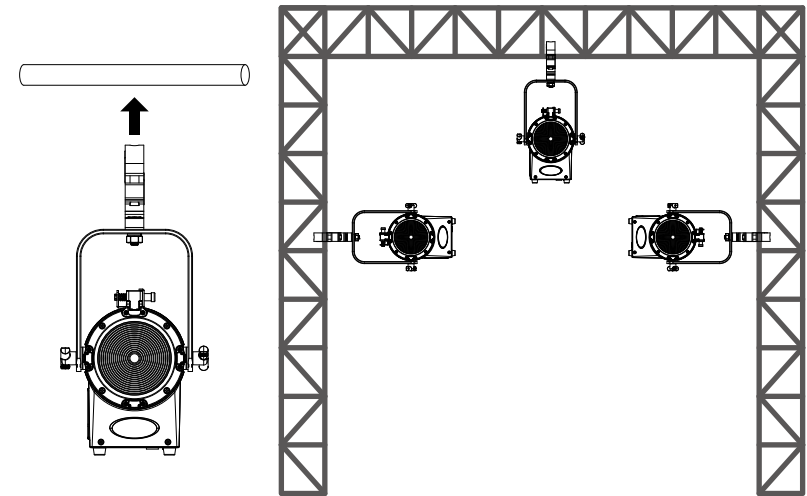
Fixture can be used to fix the equipment, and a safety rope must be connected to the safety hook. Note that it cannot be connected to the handle.



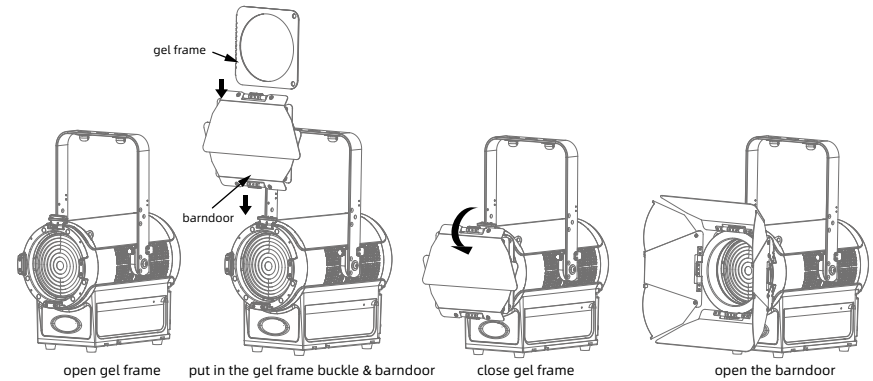
5.2 Equipment installation

- 1). Before installation, it is necessary to verify that the lamp hook and safety rope are not damaged, and that the installation object can withstand 6 times the total weight of the lamp and cable accessories;
- 2). Install the lamp hook on the handle and insert it horizontally into the handle mounting hole to lock it in place.

5.3 Hanging Installation Diagram



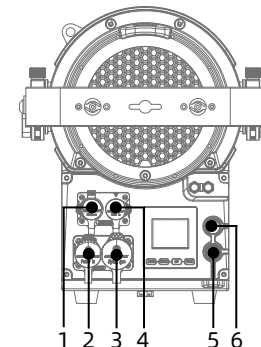
5.4. Barndoor and Gel frame installation



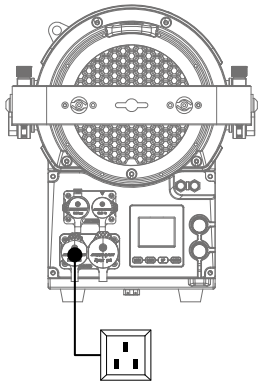
6. Power、Signal connect

6.1 Power and signal socket

- 1、 DMX OUT
- 2、 POWER INPUT
- 3、 POWER OUTPUT
- 4、 DMX IN
- 5、 Dimming control knob
- 6、 Color adjustment knob



6.2 Power connect



Connection method:


- L**(live wire) - brown wire
- E**(Ground wire) - yellow/green dual color line
- N**(Zero Line) - Blue Line

When connecting the power supply, please note that the voltage and frequency of the power supply must match the voltage and frequency marked on the light fixture. When multiple fixtures are used simultaneously, it is recommended to connect the power supply of each fixture separately, so that each fixture can be individually controlled for power on/off.

⚠ Attention: When connecting the power supply, the ground wire (yellow/green dual color wire) must be safely grounded and comply with all relevant electrical installation standards.



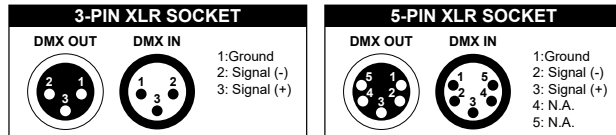
This product uses Powercon In/Out to connect power cords. Due to power limitations, a 2 square meter power cord can carry up to 9 products at 220V and 3 product at 110V.



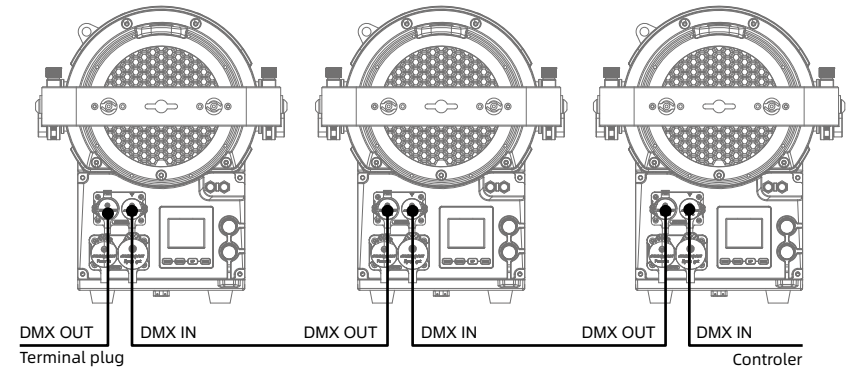
Warning !

- Do not connect too many fixtures or overload a single power cord;
- Do not use power cords with damaged insulation layers, and do not place power cords on other wires;
- When the fixture is not in use or cleaned, please unplug the power cord; Do not forcefully unplug or drag the power cord directly.

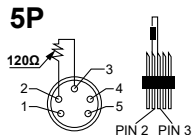
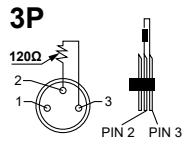
6.3 Signal connect



The lighting fixtures are equipped with standard DMX XLR input and output sockets. Please use DMX512 shielded twisted pair signal cables or Category 3/5 or above network twisted pair cables for connection. The typical connection distance for DMX signal lines is 150 meters. When transmitting signals over long distances, a DMX512 signal amplifier must be added.

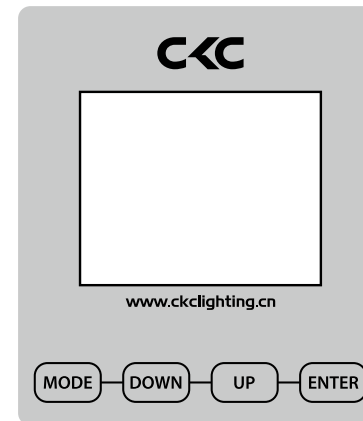


Connect a shielded twisted pair signal cable from the DMX output port of the controller to the DMX input port of the first device, and from the DMX output port of the first device to the DMX input port of the second device, and so on, until all the lamps are connected. Then install a terminal plug on the last 3 pin socket of each connected lamp output. (Weld a 4/1W, 120 Ω resistor between the 2 and 3 pins of a 3 or 5 core pin XLR plug).



7. Control panel

7.1 Panel Introduction



- Adopting OLED screen display;
- Press the MODE key to view or modify the lighting function settings, and press the UP, DOWN, LEFT, and RIGHT keys to select the function menu;
- Press the ENTER key to confirm your selected function menu, which will take you to the corresponding sub menu in the menu. Each menu item represents a specific function of the lighting fixture (as shown in the table below);
- Press the ENTER key to save your modifications or enter a submenu, and press the UP or DOWN key to modify values (increase or decrease values); Press the MODE key to return to the previous menu or exit.
- Press the MODE key to return to the previous menu or exit.

7.2. System menu

Note: The gray color block is the default setting value

Software Update Please Wait... CKC Temperature Check LED:xxx C / xxx F PSU:xxx C / xxx F Please Wait... FC Halonel Pro Motor Reset			
Interface display	XXCH XXXX ADDR:001 Next:xxxx Mode :xxxxxxxx		
Encoder Mode	Disabled	For use when running fixture in DMX mode	
	Int CCT GRN Zoom	For use when running fixture in CCT mode with encoder control	
	Int Color Sat Zoom	For use when running fixture in color mode with encoder control	
	Int x,y Zoom	For use when running fixture in x,y mode with encoder control	
	Manual Control	For use when running fixture in manual control mode with encoder control	
DMX	DMX Address	001~512	
	DMX Mode	1CH Dimmer (Encoder 1 assigned to CCT, Encoder 2 assigned to Zoom) 8CH Dim/CCT/Clr 14CH Standard 20CH Extended 16CH RGB Extended 16CH CMY Extended 14CH x, y Extended	
	No DMX Status	Hold Last Fade to Black Standalone	
	Dimmer	000% - 100%	
Control	Manual Control	Red	0- 255
		Green	0- 255
		Blue	0- 255
		Mint	0- 255
		Amber	0- 255
		CCT	2400K - 8500K (Default = 6000K)
		Green Shift	-100% ~ +100% (Default = 0)
		Virtual Color	See Color Macros
		Zoom	00% - 100% (Default = 50%)
	Master	On / Off	
Salve	On / Off		

Settings	Self Test	All Dimmer Color Zoom		
	Dim Modes	Standard Stage TV Architectural Theatre		
	Dim to Warm	On / Off		
	Dim Curves	Linear		
		Square		
		Square Inverse		
		S-Curve		
	Color Tuning	Highest CRI		
		Highest Output		
	Output Balance	Bright		
		Uniform		
	CCT Mode	Constand Mode		
		Max Mode		
	LED Refresh Rate	1200HZ,3600HZ , 5000Hz, 10KHz,15KHz, 20KHz,25KHz (Default = 1200 Hz)		
	LED Power Limit	50%		
60%				
70%				
80%				
90%				
Fan Mode	Auto			
	High			
	Silent Mute			
Display	Screen Delay	10s - 5min (Default = 1 min)		
	Screen Lock	OFF / ON / ON1		
	Rotate Display	Yes / No / Auto		
Reset Defaults	Yes / No			
Information	Time	Current Run Time		
		Total Run Time		
		Last Run Time		
	Temperature	Current	LED xxx / xxx PSU xxx / xxx	
		MAX Resettable		
	Humidity	xxx %		
	DMX Values	Red		
		Green		
Product IDs	RDM UID			
Error Logs	Fixture Errors			

	Software Version	Vx.x
Service (Passcode = 050)	Calibration	Red 000 - 255 Green 000 - 255 Blue 000 - 255 Mint 000 - 255 Amber 000 - 255 Zoom 000 - 255
	Reset Last Run	Yes / No
	Reset Error Logs	Yes / No

8. DMX channel table:

14-1(Standard 14CH) 14-2(x, y Extended 14CH)
16-1(RGB Extended 16CH) 16-2(CMY Extended 16CH)

Channel							Value	Function
1	8	14-1	20	16-1	16-2	14-2		
1	1	1	1	1	1	1	0-255	Dimmer Intensity 0 → 100%
	2	2	2	2	2	2	0-255	Dimmer Fine Dimmer fine
	3	3	3	3	3	3		Shutter, strobe:
							0-31	Shutter closed
							32-63	No function (shutter open)
							64-95	Strobe effect slow to fast
							96-127	No function (shutter open)
							128-159	Pulse-effect in sequences
							160-191	No function (shutter open)
							192-223	Random strobe effect slow to fast
							224-255	No function (shutter open)
					5			x Coordinate Fine
					6			y Coordinate
					7			y Coordinate Fine
				4		0-255		Cyan: Cyan (0-100% Cyan)
				5		0-255		Cyan Fine: Cyan Fine
				6		0-255		Magenta: Magenta (0-100% Magenta)
				7		0-255		Magenta Fine: Magenta Fine
				8		0-255		Yellow: Yellow (0-100% Yellow)
				9		0-255		Yellow Fine: Yellow Fine
	4	4	4			0-255		Red: Red(0-100% Red)

		5	5			0-255		Red Fine: Red Fine
		5	6	6		0-255		Green 0 → 100%
		7	7			0-255		Green Fine Fine Adjustment
		6	8	8		0-255		Blue 0 → 100%
		9	9			0-255		Blue Fine Fine Adjustment
		7	10			0-255		Mint 0 → 100%
		11				0-255		Mint Fine Fine Adjustment
		8	12			0-255		Amber 0 → 100%
		13				0-255		Amber Fine Fine Adjustment
	4	9	14	10	10	8		CTO: Open
						0-23		CTO 2400K - 8500K (see separate sheet)
						24-85		
						86-255		8500K
		5	10	15	11	11	9	CCT Cross Fade Idle
						0		Cross Fade
						1-255		
								Color Wheel:
						0		Open
						1-179		Virtual Swatch Book (see separate sheet)
								Color Scroll
						180-201		Clockwise,fast → slow
						202-207		Stop
						208-229		Counter-clockwise,slow → fast
						230-234		Open
		6	11	16	12	12	10	Random Slots
						235-239		Fast
						240-244		Medium
						245-249		Slow
						250-255		Open
								Green Shift
						0		Idle
			12	17	13	13	11	Full Minus Green to Neutral
						128		Neutral White
						129-255		Neutral to Full Plus Green
		7	13	18	14	14	12	Zoom Zoom adjustment from small to big
								Dim Modes

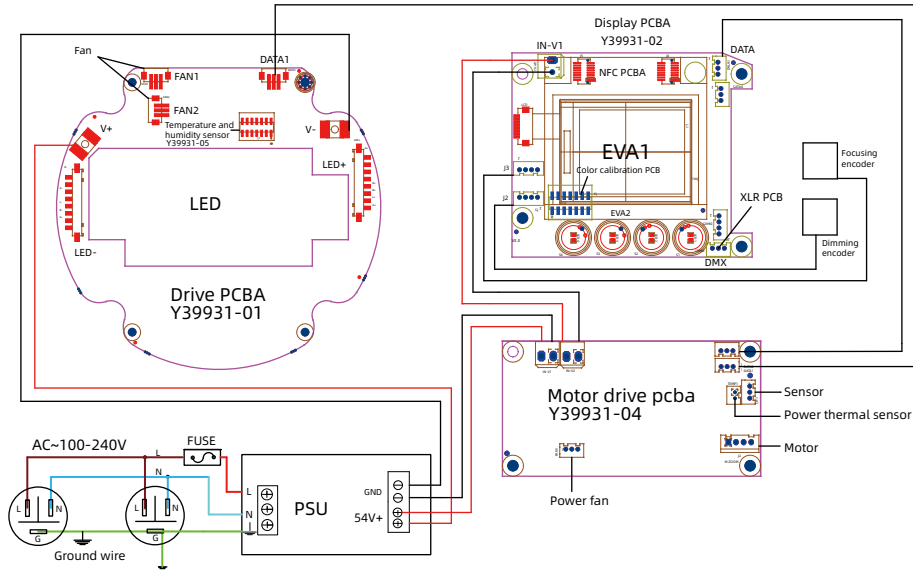
			19	15	15	13	0-20	Standard	
							21-40	Stage	
							41-60	TV	
							61-80	Architectural	
							81-100	Theatre	
							101-255	Idle	
								Control:	
							0-05	Idle	
							06-10	Fan Mode Auto	All control channel settings require adjusting the shutter value to the range of 0-31 and maintaining it for 3 seconds in order for the control channel function, reset function, and DTW function to take effect
							11-15	Fan Mode Mute	
							16-20	Fan Mode Silent	
							21-25	Fan Mode High	
							26-30	Dimmer Curve: Linear	
							31-35	DimmerCurve:Square(Default)	
							36-40	Dimmer Curve: Inverse Square	
							41-45	Dimmer Curve: S-Curve	
							46-50	1200Hz(Default)	
							51-55	3600Hz	
							56-60	5000Hz	
							61-65	10.000Hz	
							66-70	15.000Hz	
							71-75	20.000Hz	
							76-80	25.000Hz	
							81-85	Reset Zoom	
							86-90	Highest CRI	
							91-95	Highest Output (Default)	
							96-100	Bright (Default)	
							101-105	Uniform	
							106-110	DTW ON	
							111-115	DTW OFF	
							116-255	Idle	

Strobe channel	
0-31	LED ON
32-63	LED OFF
64-95	Regular strobe speed from slow to fast (about 7 minutes to synchronise)
96-127	LEDON
128-159	Puls strobe speed from slow to fast (about 7 minutes to synchronise)
160-191	LEDON
192-223	Random strobe speed from slow to fast
224-255	LEDON

Virtual Swatch Book

Value	Filter Number	Name	Value	Filter Number	Name
1	7	pale yellow	32	49	medium purple
2	103	straw	33	58	lavender
3	151	gold tint	34	199	palace blue
4	100	spring yellow	35	119	dark blue
5	10	medium yellow	36	132	medium blue
6	101	yellow	37	120	deep blue
7	104	deep amber	38	165	daylight blue
8	15	deep straw	39	161	slate blue
9	179	loving amber	40	118	light blue
10	21	gold amber	41	68	sky blue
11	105	orange	42	143	pale navy blue
12	158	deep orange	43	131	marine blue
13	22	dark amber	44	115	peacock blue
14	778	millenium gold	45	172	lagoon blue
15	135	deep golden amber	46	116	medium blue green
16	24	scarlet	47	90	dark yellow green
17	106	primary red	48	139	primary green
18	26	bright red	49	122	fern green
19	27	medium red	50	89	moss green
20	19	fire	51	124	dark green
21	157	pink	52	88	lime green
22	36	medium pink	53	138	pale green
23	111	dark pink	54	203	Quarter CT Blue
24	128	bright pink	55	202	Half CT Blue
25	148	bright rose	56	201	FULL CT Blue
26	332	special rose pink	57	200	double CT Blue
27	793	vanity fair	58	206	Quarter CT Orange
28	113	magenta	59	205	Half CT Orange
29	46	dark magenta	60	204	FULL CT Orange
30	48	rose purple	61-179		No function
31	126	mauve			

9. Control circuit diagram



10. Regular maintenance

10.1 Cleaning and maintenance

Lighting fixtures require daily cleaning and maintenance, and their service life largely depends on the operating environment and standards. If you have any questions, please consult our technical engineers for advice. Maintenance and repair work not included in this book should be entrusted to our qualified technical engineers.

Attention! Damage caused by dust, e-liquid, or other reasons, as well as abnormal use, is not covered by the warranty.



Warning !


Before opening any lid, disconnect the power supply. Cleaning optical components requires gentle wiping as the coating surface is prone to scratching. Do not use damaging liquids or hard objects, as they may damage the plastic or coating surface.

- When the lens is cracked or otherwise damaged, it should be replaced in a timely manner;
- When the brightness significantly decreases, the LED may have reached its expiration date and should be replaced in a timely manner;
- When the fixture cannot start, please check if the fixture power fuse is blown. If it is blown, a fuse of the same specification must be used for installation;

- The fixture is equipped with a temperature protection device. When the temperature is too high, the protection device will automatically reduce power.
- When this situation occurs, please check whether the fan is running normally, whether the fan and fan mesh are clogged with dust, identify the fault and repair it before starting the fixture. Please note that only qualified technicians are allowed to carry out maintenance work;
- To maintain smooth movement of the focusing lens, it is recommended to lubricate the guide rail of the focusing lens every three months. Excellent and high-temperature resistant lubricating grease should be used, and excessive grease should not be used as it can easily dirty adjacent components.

10.2 Fault analysis and handling

Fault description	Analysis	Processing method
No action after power on	Check if the power switch is turned on	Turn on
	Check if the fuse is blown	Replace
	Check if the output of PSU is normal	Detecting voltage
Uncontrolled lighting fixtures	Check if poor contact in the internal circuit	Reconnect
	Check if the DMX signal cable is connected correctly (If there is no signal, the display screen will flash)	Reconnect or replace
	Check if the address code is correct and if the DMX mode of the lighting fixture matches the settings	Reconfirm
Not bright	The main control PCB is damaged	Replace
	LED aging or damage	Replace
	Power PCB malfunction	Check/ Replace
	Loose or poor contact of the circuit	Reconnect
Automatically turn off or dim the lights	PSU malfunction	Replace
	LED aging	Replace
	The temperature control switch is damaged	Replace
Weak light efficiency and uneven light spot	LED aging	Replace
	The optical mirror has accumulated dust or stains	Clean
	The optical mirror is damaged	Replace

Impure color	Weakening of light efficiency	Replace led PCB
	The color filter has accumulated dust or stains	Clean
	The color filter has been demolded or damaged	Replace
 Attention! The above analysis is for abnormal reference only. Non professionals are not allowed to disassemble and repair the machine		

