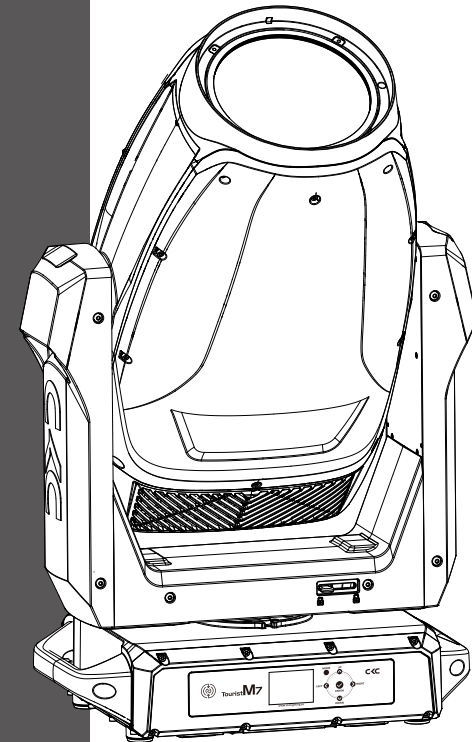


# CKC

# M7



## CKC LIGHTING CO.,LTD

Addr.:335 Nansha Avenue, Tung Chung Town,  
Nansha District, Guangzhou City, China.  
TEL: (020)3920 4506 FAX: (020)3920 4631  
WEB: www.ckclighting.com

[www.ckclighting.com](http://www.ckclighting.com)



Before carrying out any installation, maintenance, or cleaning of the lighting fixtures, please confirm that the power has been cut off! Before using this fixture, please read this manual. Our company reserves the right to change product design and specifications without prior notice.

# CONTENTS

<b>1. Security Warning Information</b>	<b>1</b>
<b>2. Product Introduction</b>	<b>3</b>
2.1 Exterior dimensions	3
2.2 Fixture packaging accessories	4
<b>3. Main technical parameters of the equipment</b>	<b>4</b>
<b>4. Packaging and transportation</b>	<b>11</b>
4.1 Disassemble packaging	11
4.2 Equipment installation	11
<b>5. Installation Requirements Explanation</b>	<b>11</b>
5.1 Clamp installation	11
5.2 Fixture installtion	13
5.3 Hanging Installation Diagram	13
<b>6. Power and signal connection</b>	<b>14</b>
6.1 Power and signal socket	14
6.2 Power Connect	14
6.3 Signal Connect	15
<b>7. Control panel</b>	<b>15</b>
7.1 Panel Introduction	15
7.2 System menu	16
<b>8. DMX control channel table</b>	<b>18</b>
<b>9. Control circuit diagram</b>	<b>23</b>
<b>10. Regular maintenance</b>	<b>24</b>
10.1 Cleaning and maintenance	24
10.2 Fault analysis and handling	24

## ★ Statement ★

- This manual contains important information on safe use and installation. Please read it carefully and follow the requirements for operation and installation. Please keep this manual properly;
- The equipment has good performance and complete packaging when it leaves the factory. The operator should strictly follow the warning items and operating instructions stated in the manual. Any malfunction or damage caused by misuse or neglect of the manual is not within the scope of our company's responsibility and warranty;
- The relevant information in this manual is for reference only. All lighting products are subject to the actual product. Any changes will not be notified separately, and our company reserves the right of final interpretation.

### 1. Security Warning Information



#### Attention !

Please read the safety requirements information in this section carefully before installing, powering on, operating, or repairing the lighting fixtures.



- This product is for professional use and is not suitable for other purposes;
- After receiving the lighting fixtures, please check if the packaging is complete and unpack to check if the equipment has been damaged due to transportation. If there is any damage caused by transportation, please do not use this lamp and contact local technicians or manufacturers as soon as possible;
- When transporting again, please use the original packaging materials;
- If there is obvious damage to the machine casing, it should be replaced in a timely manner;
- When hanging lamps, it is necessary to verify that the hanging equipment can withstand more than 6 times the weight of the lamp. After installation, it is necessary to verify that the lamp cover and installation buckle are secure and undamaged. At the same time, a safety rope should be used as an auxiliary safety for the lamp and fixed on the truss;
- The light source inside this luminaire should be replaced by the manufacturer, its service agent, or a similarly qualified person;
- If you have any other questions about how to safely operate the equipment, please contact our technical personnel or call our service hotline;
- This product has a protection level of IP66 and can be used both indoors and outdoors;
- Avoid direct external strong light shining on the lens, which may cause the lens to focus and burn out internal components.



- Lighting fixtures should be kept clean and avoid prolonged use in overheated or dusty environments to prevent contact with chemical liquids;
- When using the product, attention should be paid to avoiding serious or fatal injuries caused by fire, heat, electrical shock, and ultraviolet radiation. Before powering on or installing, read the instruction manual first. Follow the safety precautions for operation and pay attention to the warning signs on the instructions and equipment;
- Only professionals are allowed to install, operate, and maintain lighting fixtures, and strictly follow the procedures stated in the operating instructions.



- The eyes cannot directly look at the luminous object;
- Do not connect this device to any dimmer;
- If visible damage occurs to the protective casing, lens, and display screen on the lighting fixture, it is considered as damage to the point of loss;
- Please do not place any filters or other items at the light outlet, and do not replace non original parts;
- The minimum safe illumination distance of the lamp is 5m.



- Before installation, please confirm that the power supply voltage used matches the voltage indicated on the light fixture. Each lighting fixture should be properly grounded and electrically installed according to relevant standards;
- Please disconnect the power before repairing or cleaning the equipment;
- During the operation of the lighting fixtures, touching the wires is prohibited to prevent electric shock;
- If the external soft cable or wire of this lamp is damaged, the wire should be replaced by the manufacturer, its agent, or a similarly qualified person to avoid danger;
- Avoid flammable liquids, water, or metal conductors from entering the interior of the lamp to prevent electric shock or fire. If any foreign objects enter the lamp, immediately cut off the power supply;
- When multiple lamps are operated in series, the signal lines can be connected in multiple ways, but the power supply must be connected separately.



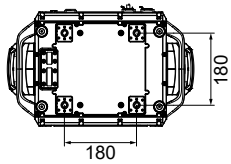
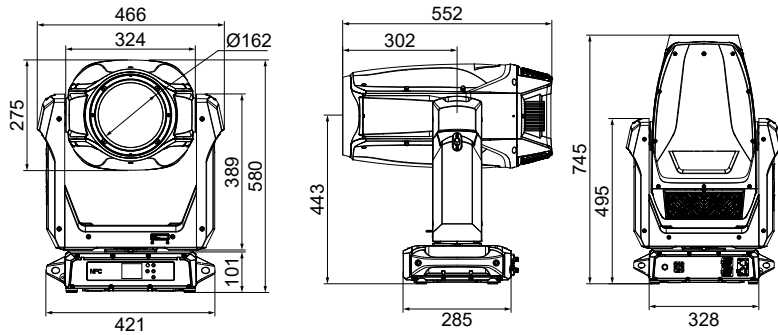
- The lighting fixtures work normally at -20 °C to 45 °C . When replacing any components or accessories in the equipment, ensure that the power is disconnected to prevent electric shock and injury;
- The maximum surface temperature of the lamp during operation can reach 84 °C , please do not touch it with bare hands.



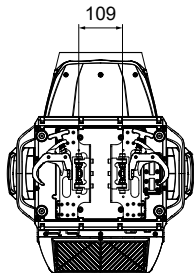
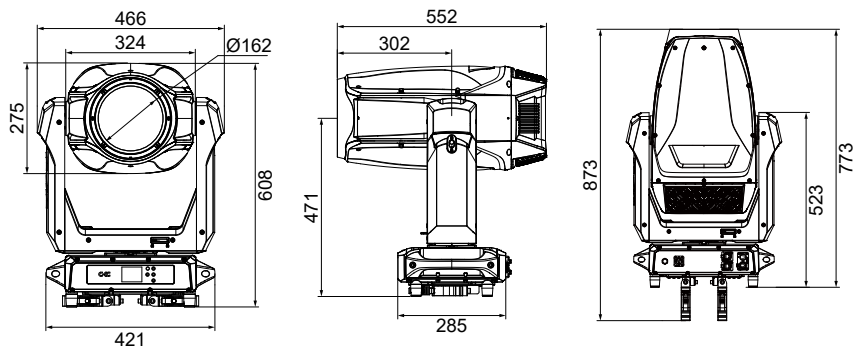
- The lighting fixtures must be installed in a sufficiently ventilated area, at least 0.5m away from adjacent surfaces, to ensure that no ventilation holes are blocked;
- Do not install the lighting fixtures directly on flammable objects;
- The minimum distance between all outer surfaces of the lamp and combustible materials is 0.5m.

## 2. Product Introduction

### 2.1 Exterior dimensions of lighting fixtures



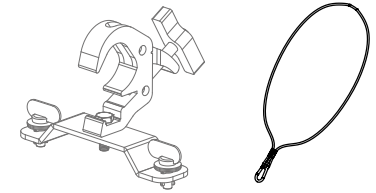
Normal version: 466×285×745mm



Integrated clamp version: 466×285×773mm

### 2.2 Packaging accessories

	Name	QTY
Normal version	Omega bracket	2 PCS
	Clamp	2 PCS
	Safety cable	1 PCS
Integrated clamp version	Safety cable	1 PCS



### 3. Main technical parameters of the equipment

Product execution standards: GB7000.1-2023, GB7000.217-2023, Q/YF-2017

#### ● Electrical parameter

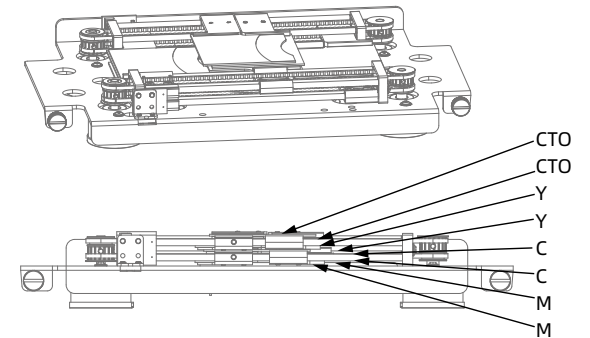
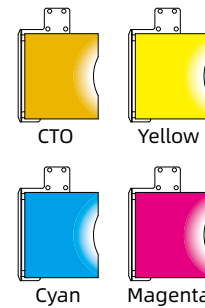
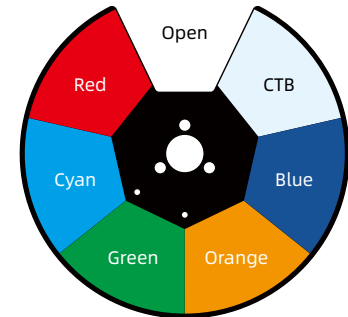
Rated input voltage: AC 100V-240V~ 50Hz/60Hz  
 Rated power of the entire fixture: 1435W  
 Power factor: 0.99F  
 Input Current: 6.14A 220V

#### ● Source lifespan

>20000 hours

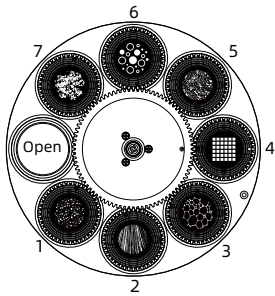
#### ● Color system

CCT: 6500K  
 CRI: Ra/72 (High brightness)  
 Ra/95 (High CRI)  
 Color wheel: 6+1  
 CMY+CTO

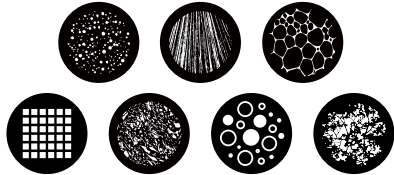
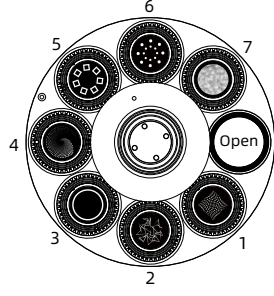


● Gobo system

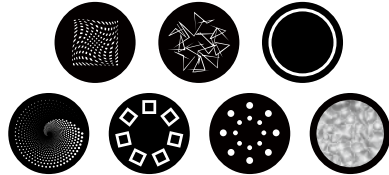
Rotation gobo wheel 1



Rotation gobo wheel 2



Gobo outer diameter: 23mm±0.2mm  
Internal diameter: 19mm  
Thickness: 1.1mm

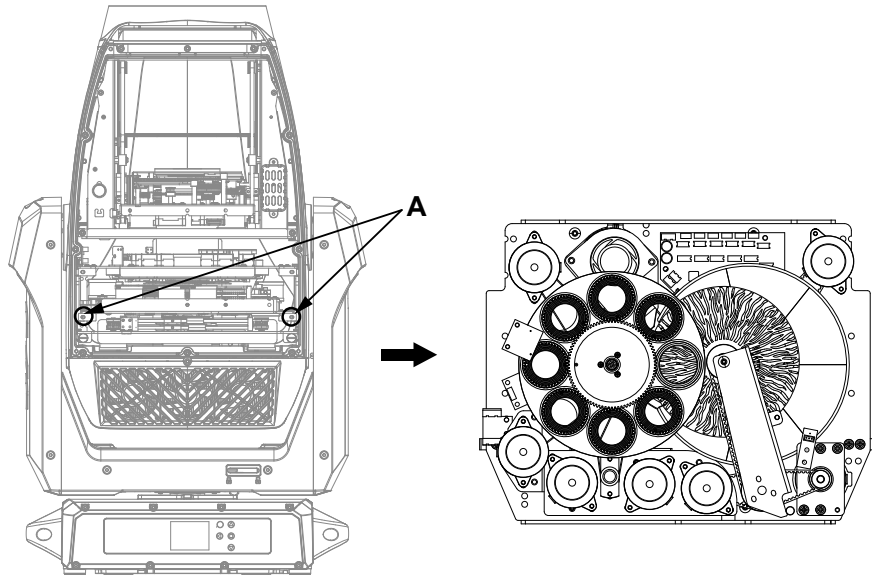


Gobo outer diameter: 23mm±0.2mm  
Internal diameter: 17mm  
Thickness: 1.1mm

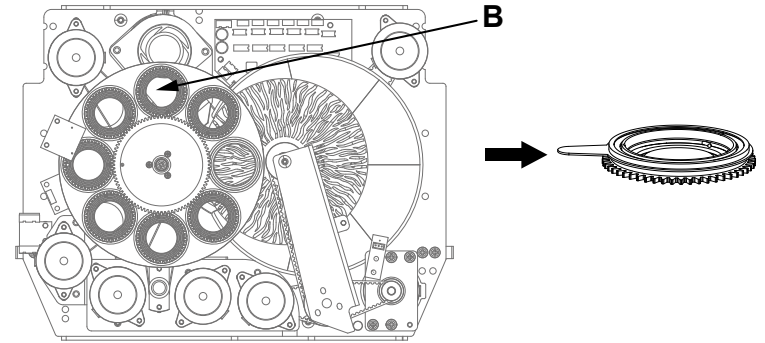
Gobo replace

1) Gobo wheel 1

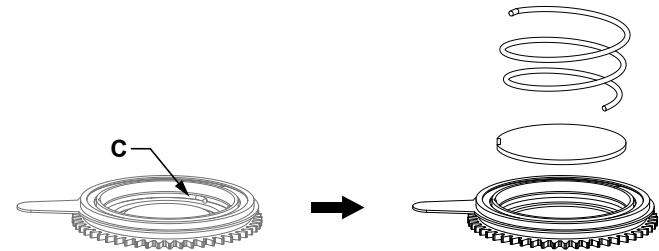
a). Remove the two screws at location **A**, unplug the power and signal adaptercables, and extract the Gobo component;



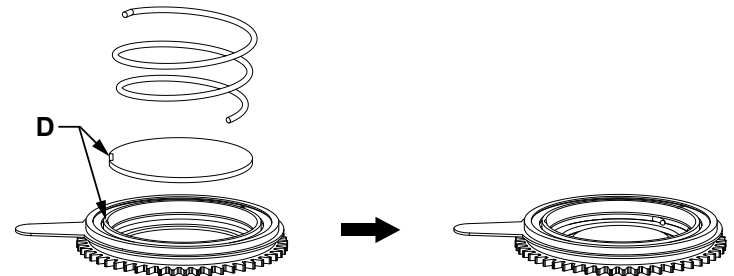
b). As shown in **B**, gently lift the driven wheel from the edge upwards from the front of the pattern plate and slowly pull it out to remove a single pattern seat;



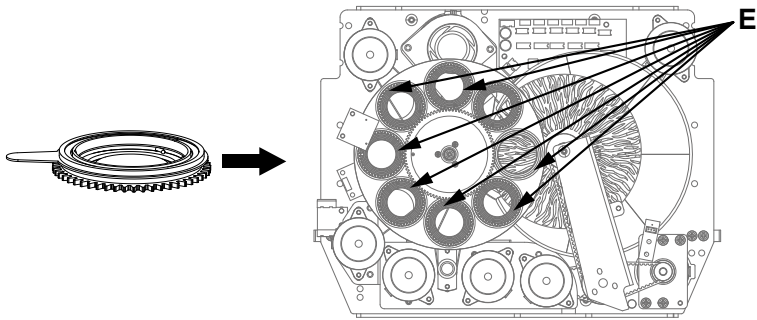
c). Use tweezers or other small grippers to remove the snap spring at point **C** (If the pattern piece is coated with glass glue for fixation, please use a professional cleaning agent to remove the glass glue before removing the snap spring to avoid damaging the gobo);



d). When assembling the gobo, avoid touching it directly with your hands. As shown in **D**, align the notch of the gobo with the recess of the driven wheel component (the coating surface of the gobo should face the light source);

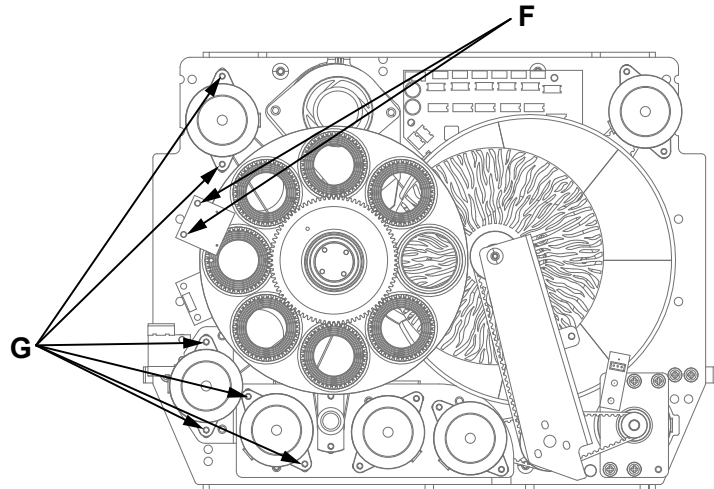


e). Insert the gobo holder into the drive wheel assembly, as shown in **E**, and reinstall the gobo holder in the order it was removed; The positioning point of the gobo holder should be aligned with the positioning point of the driving wheel; After installation, simply reinstall the gobo wheel component onto the light fixture.

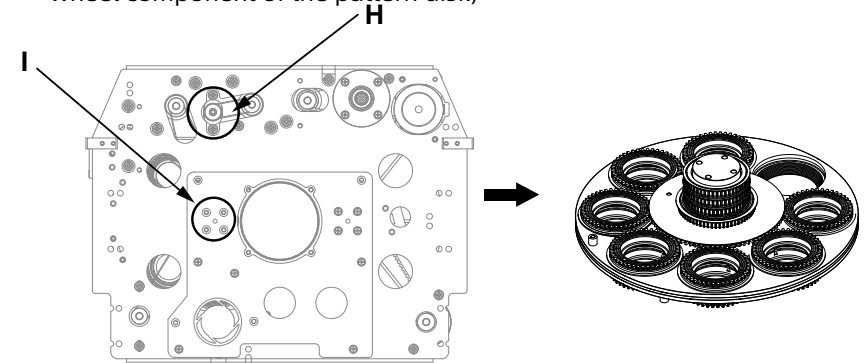


## 2) Gobo wheel 2

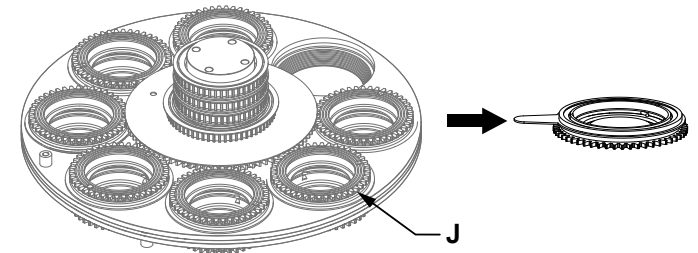
a). Unscrew the two screws on the front **F** of the gobo wheel component and remove the magnetic sensing plate; Loosen the 6 screws at point **G** and loosen the Gobo self rotating belt (to facilitate the next step of removing the Gobo wheel component);



b). Reverse the components and loosen the 3 screws at **H** to loosen the belt; Unscrew the 4 screws at position **I** again to remove the gobo wheel component of the pattern disk;

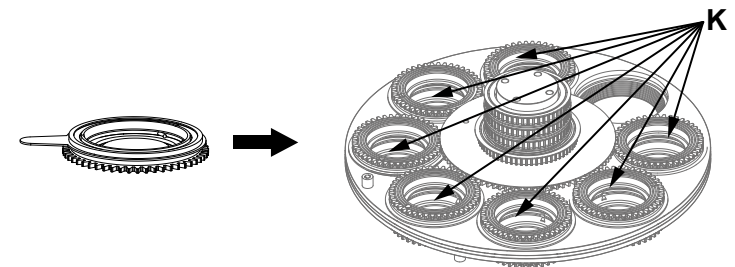


c). As shown in **J**, gently lift the gobo holder from the edge of the gobo wheel 2 and slowly pull it out to remove a single gobo holder;



d). Please refer to page 6 for the replacement method of Gobo;

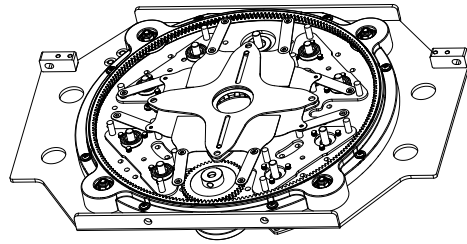
e). Insert the gobo wheel into the drive wheel assembly, as shown in **K**, and reinstall the gobo holder in the order it was removed;



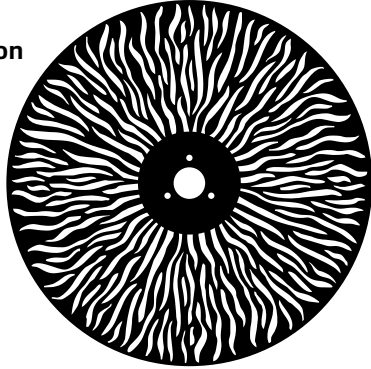
g). After installation, simply reinstall the gobo wheel component onto the light fixture.

● **Framing system**

4 gratings achieve fast and smooth cutting, and the cutting direction and angle of each grating can be controlled separately. The single grating can achieve complete light closure, and the entire frame module can rotate ±95°

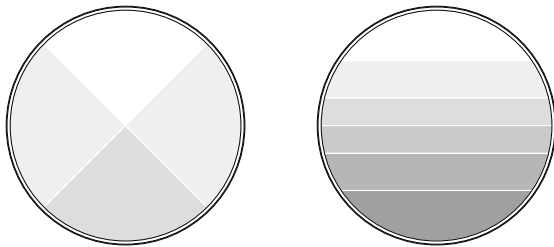


● **Animation**



● **Prism system**

4 prism+ 6 linear



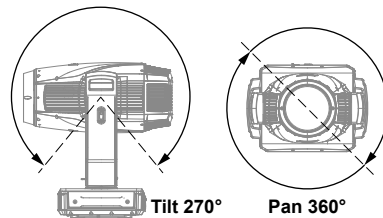
● **Pan/Tilt**

**Pan scan:**

Infinite rotation (360°)

**Tilt scan:**

270° 8-bit/16bit precision scanning



● **Optical system**

Beam angel: 3.5 ~ 52°

Source: 1000W CW LED

Output luminous flux: 43000 Lm ( High brightness)  
27000 Lm ( High CRI)

● **Control and programming**

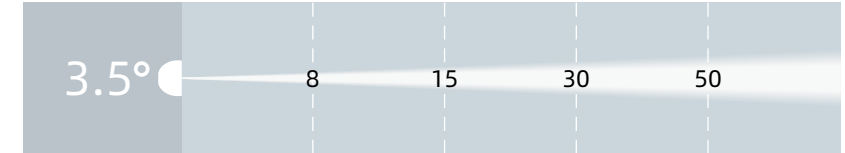
Control channel: 41CH/57CH

Protocol: DMX512, RDM, ArtNet/sACN

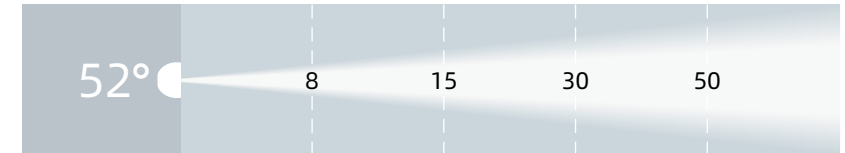
Data connect: 3 or 5 pin signal in/out, RJ45 in/out

● **Illumination draw**

High brightness

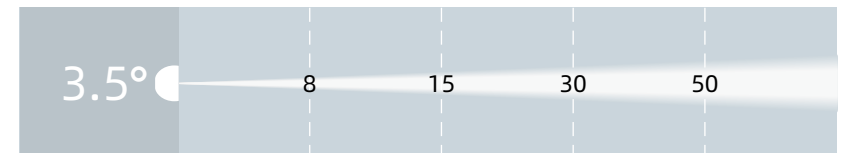


Lux	57031	16222	4055	1460
Distance(m)	0.49	0.92	1.83	3.06

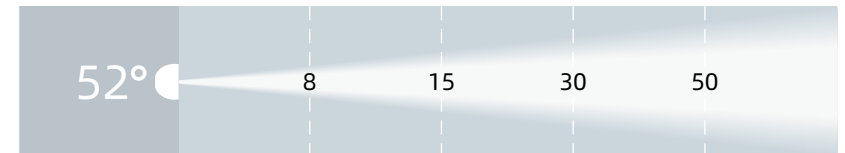


Lux	1320	376	102	
Distance(m)	7.98	14.96	29.91	

High CRI



Lux	33711	9889	2340	863
Distance(m)	0.49	0.92	1.83	3.06



Lux	824	234	65	
Distance(m)	7.98	14.96	29.91	

● **Other effect function**

Fast electronic strobe: 1~25Hz  
Iris


Frost: 1 Light frost+1 heavy frost

● Other features and functions

Weight: 37.9 KG (Integrated light hook version)  
 36.9 KG (Normal version)  
 Carton size: 92.5 × 58.5 × 48.5 cm  
 N.W: 45.3 KG (Integrated light hook version) / 44.3 KG (Normal version)  
 Flight case size:  
 96.6 × 60.6 × 54.2 cm(1PCS) N.W: 68.6 KG  
 105 × 64.8 × 85 cm(2PCS) N.W: 139 KG

4. Packaging and transportation

4.1 Disassemble packaging

 Notice: After receiving the fixture, please unpack and check for any damage caused by transportation. If there is any damage caused by transportation, please do not use this fixture and contact the local technical personnel or manufacturer as soon as possible.

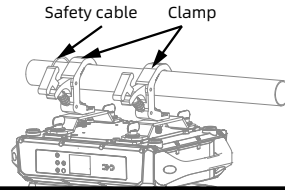
4.2 Equipment packaging

- 1). Disconnect the power supply before packaging the lighting fixtures to allow them to cool completely;
- 2). Flight cases can only be stacked in two layers and are not allowed to be reversed.

5. Installation Requirements Explanation

5.1 Clamp install

The lighting fixtures can be installed on the stage or on any direction of the truss, and the clamp can be quickly and easily locked onto the truss.

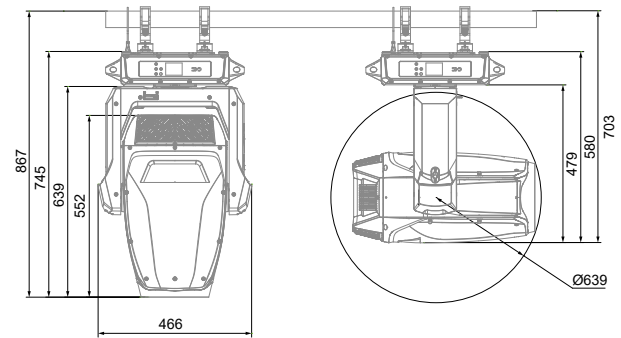
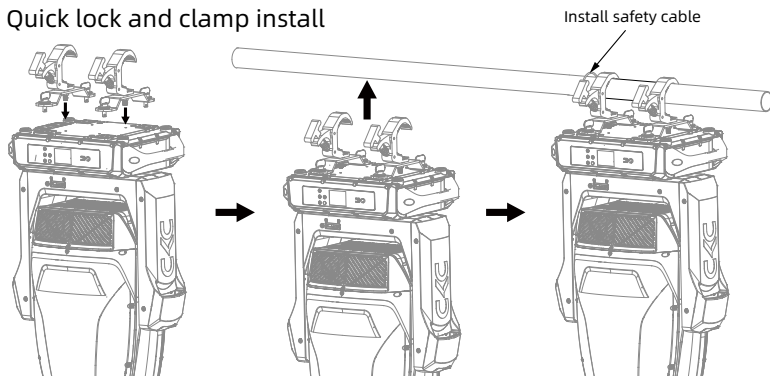


**Warning !**

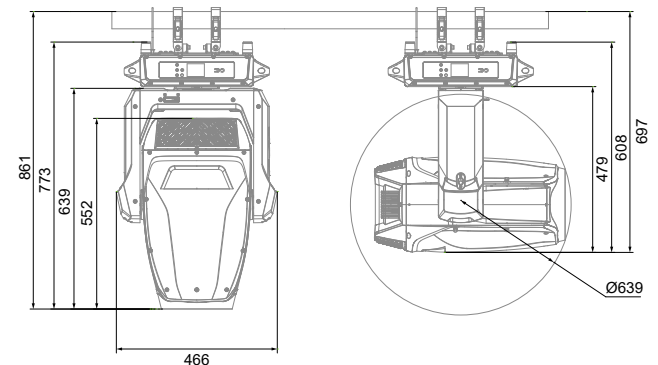
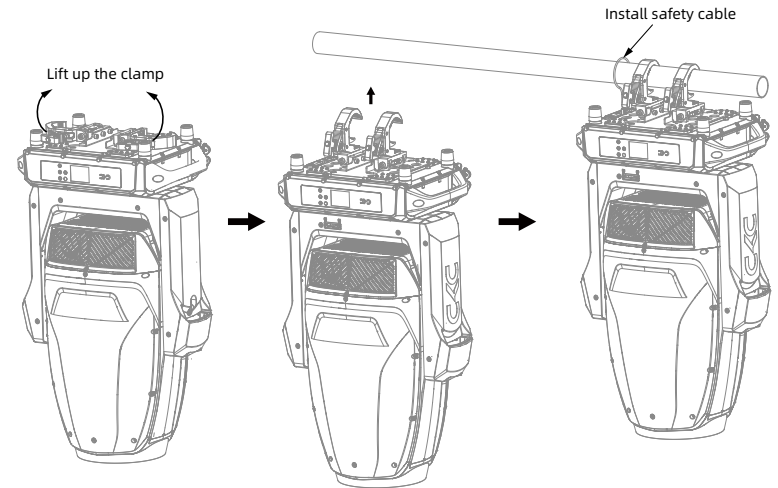
The lighting fixtures are divided into two versions: integrated light hook and normal. When using the integrated light hook version, the clamp is broken up and locked onto the truss. The normal version must use 2 clamps to secure the device and fasten it with a 1/4 rotation. Regardless of the version, one safety rope must be added and connected to the base hole, but be careful not to connect it to the handling handle.



Quick lock and clamp install



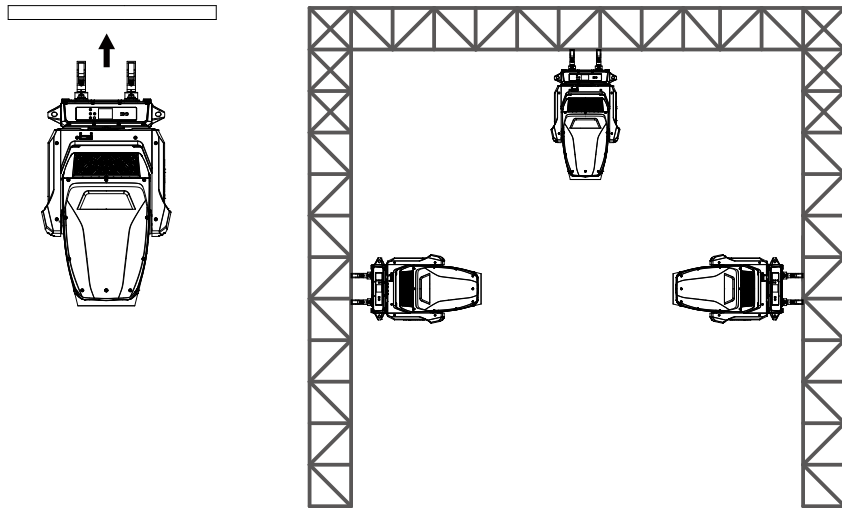
Integrated clamp installation



## 5.2 Equipment installation

- 1). Before installation, it is necessary to verify that the lamp hook and safety rope are not damaged, and that the installation object can withstand 6 times the total weight of the lamp and cable accessories;
- 2). Install the quick lock clamp on the base of the lamp body. Insert the clamp horizontally into the mounting hole of the base, rotate it clockwise 1/4 turn to lock it, and install the second clamp using the same method (the shape of the clamp should be based on the actual product).

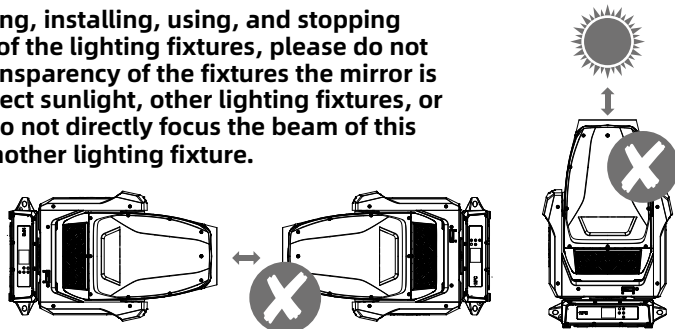
## 5.3 Hanging Installation Diagram



**⚠ Reminder:** External beam source may damage internal lighting fixtures

External beams from direct sunlight, lighting fixtures, and lasers that are directly focused onto the casing or penetrate the lens to illuminate the interior of the fixture may cause damage to the components. This is a common issue with all lighting fixtures and does not occur alone with CKC products. Although there is no way to completely prevent this problem from occurring, following the following guidelines can prevent potential damage.

**When unpacking, installing, using, and stopping the operation of the lighting fixtures, please do not expose the transparency of the fixtures the mirror is exposed to direct sunlight, other lighting fixtures, or laser beams, Do not directly focus the beam of this device onto another lighting fixture.**

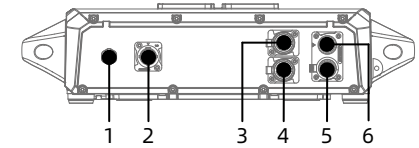


## 6. Power、Signal connect

### 6.1 Power and signal socket

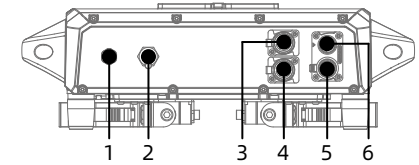
Quick lock clamp version

- |                     |                     |
|---------------------|---------------------|
| 1. Breathable valve | 2. Power socket     |
| 3. RJ45 network in  | 4. RJ45 network out |
| 5. XLR female       | 6. XLR male         |



Integrated clamp version

- |                     |                     |
|---------------------|---------------------|
| 1. Breathable valve | 2. Power socket     |
| 3. RJ45 network in  | 4. RJ45 network out |
| 5. XLR female       | 6. XLR male         |



### 6.2 Power connect

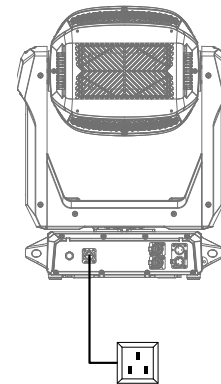
#### Connection method:

**L**(live wire) - brown wire

**E**(Ground wire) - yellow/green dual color line

**N**(Zero Line) - Blue Line

When connecting the power supply, please note that the voltage and frequency of the power supply must match the voltage and frequency marked on the light fixture. When multiple fixtures are used simultaneously, it is recommended to connect the power supply of each fixture separately, so that each fixture can be individually controlled for power on/off.



**⚠ Attention:** When connecting the power supply, the ground wire (yellow/green dual color wire) must be safely grounded and comply with all relevant electrical installation standards.



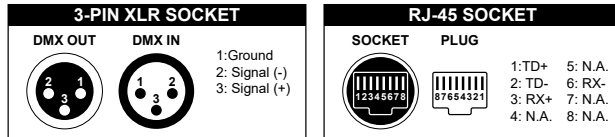
This product uses Powercon In/Out to connect power cords. Due to power limitations, a 2-square 220V power cord can carry up to 1 products.

### Warning !

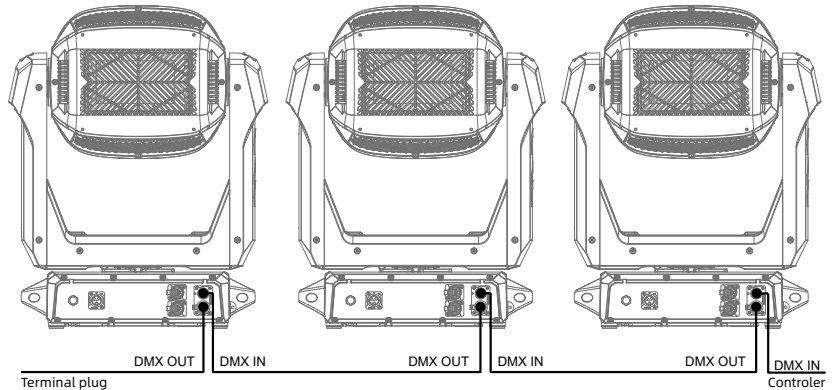
- Do not connect too many fixtures or overload a single power cord;
- Do not use power cords with damaged insulation layers, and do not place power cords on other wires;
- When the fixture is not in use or cleaned, please unplug the power cord; Do not forcefully unplug or drag the power cord directly.



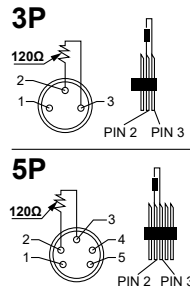
## 6.3 Signal connect



The lighting fixtures are equipped with standard DMX XLR and RJ-45 input and output sockets. Please use DMX512 shielded twisted pair signal cables or Category 5 or above network twisted pair cables for connection. The typical connection distance for DMX signal lines is 150 meters. When transmitting signals over long distances, a DMX512 signal amplifier must be added.

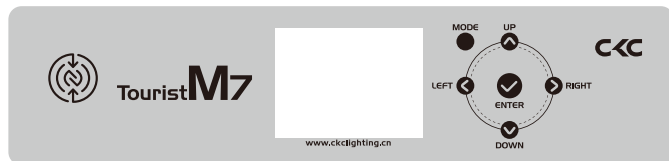


Connect a shielded twisted pair signal cable from the DMX output port of the controller to the DMX input port of the first device, and from the DMX output port of the first device to the DMX input port of the second device, and so on, until all the lamps are connected. Then install a terminal plug on the last 3 or 5 pin socket of each connected lamp output. (Weld a 4/1W, 120 Ω resistor between the 2 and 3 pins of a 3 or 5 core pin XLR plug).



## 7. Control panel

### 7.1 Panel Introduction



- NFC chip, set various parameters of the lighting fixtures through a mobile app;
- Adopting a 2.8" LCD display screen, the operation panel is equipped with a rechargeable battery, which can enter the menu to set address codes and make other settings without powering on;

- Press the MODE key to view or modify the lighting function settings, and press the UP, DOWN, LEFT, and RIGHT keys to select the function menu;
- Press the ENTER key to confirm your selected function menu, which will take you to the corresponding sub menu in the menu. Each menu item represents a specific function of the lighting fixture (as shown in the table below);
- Press the ENTER key to save your modifications or enter a submenu, and press the UP or DOWN key to modify values (increase or decrease values); Press the MODE key to return to the previous menu or exit.
- Press the MODE key to return to the previous menu or exit.

### 7.2. System menu

Note: The gray color block is the default setting value

Software Update Please Wait... CKC Ethernet Reset Fixture Check Temp Check LedTemp: xxx°C HeadTemp: xxx°C Tourist M7 Motor Reset Please Wait...			
SET	Dmx Presets	A001~AXXX	
	User Mode	Standard (41CH) Extend (57CH)	
Network	Net Protocol	ArtNet/sACN	
	Status	No DMX Mode	Black/Hold/Auto
Status	P.Reverse	ON/OFF	
	T.Reverse	ON/OFF	
	Pan Degree	630/540	
	Feedback	ON/OFF	
	Move.Speed	Speed 1~4	
	Hibernation	OFF, 01M~99M, 15M	
	Service PIN	Password=XXX	
Fixture ID	Universe	000~255	
	IP Address	2.XXX.XXX.XXX	
	Mask Address	255.XXX.XXX.XXX	
Net Switch	ON/OFF		
Dim Mode	Standard		
	Stage		
	TV Architectural Theatre		
Temp. C/F	Celsius		
	Fahrenheit		

<b>Function</b>	Dim Curve	Linear Square Inv-Square S-Curve	
	Frequency	1200Hz/3600Hz/5000Hz/10KHz/15KHz/20KHz/25KHz	
	CRI Mode	Standard High CRI	
	CTO Mode	6500K 6000K 3000K	
	CTB MODE	ON OFF	
	Fan Set	Head Fan	Auto High Low
		Base Fan	Auto High Low
	LCD.Set	Backlight	01~60m
		Flip Display	OFF/ON
		Key Lock	OFF/ON
DispFlash Language		OFF/ON English/Chinese	
Disp.Set	Channel Value	PAN.....	
	Slave Set Auto.Prog	Slave1,Slave2,Slave3 Master / Alone	
DFSE	OFF/ON		
<b>Test</b>	Reset.M	All Pan&Tilt Other	
	Test.Chan	PAN .....	
	Panel.Ctrl.	PAN =XXX :	
	Calibrate	-Password- PAN (Password=50) :	
<b>Infomation</b>	Time.Info	Current Total Time Last Time Timer PIN (Password=50) Clear Last (ON/OFF)	
		Temp. Info	LED Temp: xxx°C Head Temp: xxx°C Base Temp: xxx°C
	Fan Speed	Cool Fan1:xxxx RPM Cool Fan2: xxxx RPM Cool Fan3: xxxx RPM .....	

Humi.Info	HeadHumi: xxx % BaseHumi: xxx %
	Error. Info
Model. Info	Tourist M7
Software.V	1U V1.0.X
	2U V1.0.X
	3U V1.0.X
	4U V1.0.X
	5U V1.0.X
	6U V1.0.X
	7U V1.0.X
	8U V1.0.X
	9U V1.0.X

**8. DMX channel table:**

ST.	EX.	Function	Values
1	1	Pan	000 - 255 Pan Movement (540/630)
2	2	Pan fine	000 - 255 Pan Fine
3	3	Tilt	000 - 255 Tilt Movement (270)
4	4	Tilt fine	000 - 255 Tilt Fine
5	5	Pan Continuous Rotation	<b>Pan Continuous Rotation:</b>
			0 - 127 No function
			128-189 Pan clockwise from fast to slow
			190-193 No rotation
			194-255 Pan counter-clockwise from slow to fast
6	6	Dimmer	000-255 Intensity 0 to 100%
7	7	Dimmer fine	000-255 Dimmer Intensity Fine
8	8	Strobe functions	<b>Shutter, Strobe:</b>
			000-031 Shutter closed
			032-063 Shutter open
			064-095 Strobe Slow to fast
			096-127 Shutter open
			128-159 Pulse effect Slow to fast
			160-191 Shutter open
192-223 Random strobe Slow to fast			
			224-255 Shutter open
9	9	Cyan	000-255 0% to 100%
	10	Cyan Fine	000-255 0% to 100%
10	11	Magenta	000-255 0% to 100%
	12	Magenta Fine	000-255 0% to 100%
11	13	Yellow	000-255 0% to 100%
	14	Yellow Fine	000-255 0% to 100%
12	15	CTO	000-255 0% to 100%
	16	CTO Fine	000-255 0% to 100%

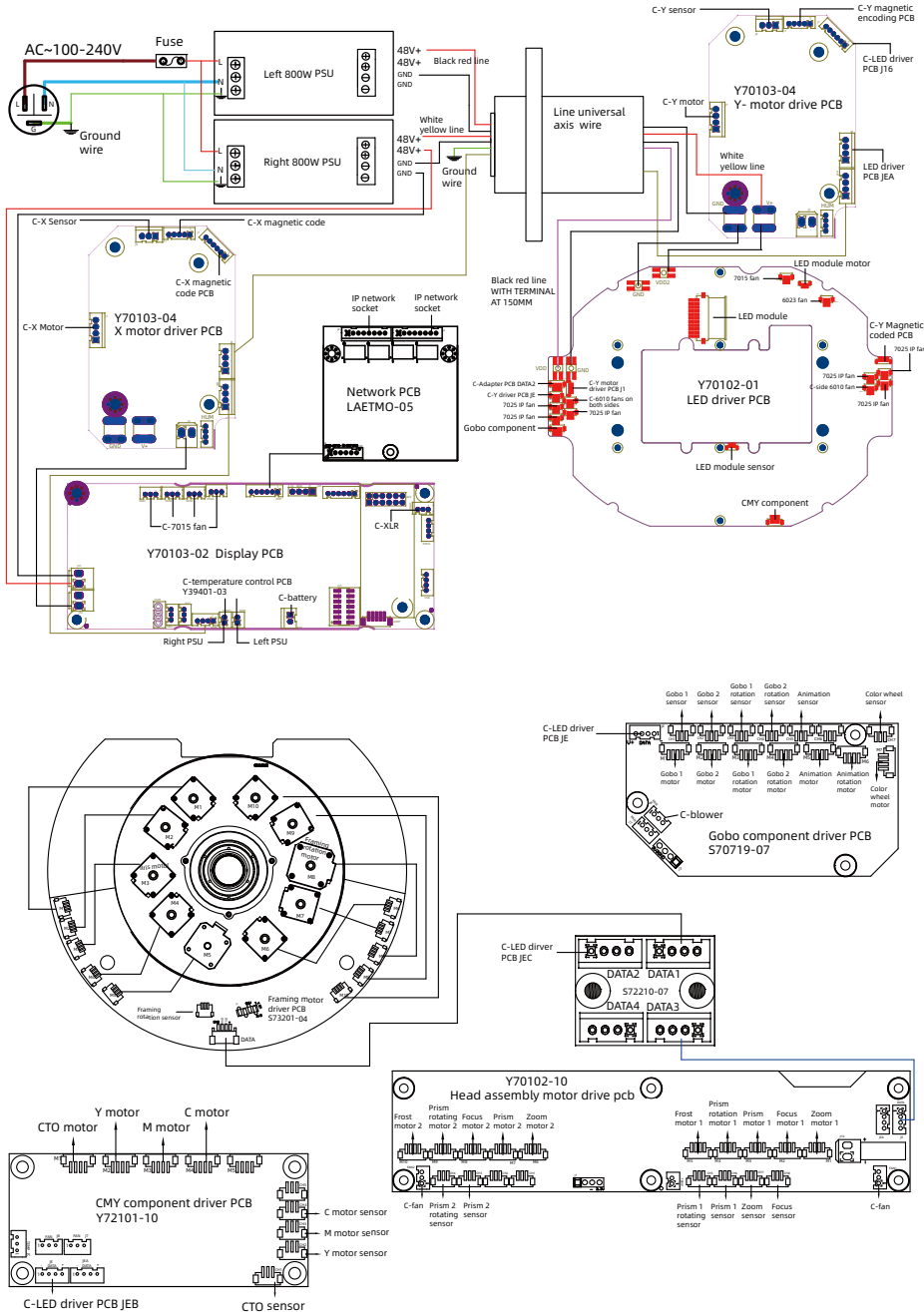
13	17	Colour Wheel	<b>Color Wheel :</b> 000-005 Color off (open) 006-104 Open → Color1..Color6 → Open 105-110 Open 111-120 Deep Red 121-130 Medium Blue 131-140 Deep Green 141-150 Amber 151-160 Deep Blue 161-170 CTB 171-192 Color off (open) 193-223 Color Wheel rot. Fast -> Slow , CW 224-224 Color Wheel rot. Stop 225-255 Color Wheel rot. Slow ->Fast, CCW
14	18	Colour Wheel Fine	000-255 0% to 100%
15	19	GoboWheel 1	<b>Rotating Gobos1:</b> 000-005 Open 006-016 Gobo 1 017-027 Gobo 2 028-038 Gobo 3 039-049 Gobo 4 050-060 Gobo 5 061-071 Gobo 6 072-082 Gobo 7 083-097 Gobo 1 shake (slow-fast) 098-112 Gobo 2 shake (slow-fast) 113-127 Gobo 3 shake (slow-fast) 128-142 Gobo 4 shake (slow-fast) 143-157 Gobo 5 shake (slow-fast) 158-172 Gobo 6 shake (slow-fast) 173-187 Gobo 7shake (slow-fast) 188-192 Open 193-223 Gobo Wheel rot. Fast -> Slow, CW 224-224 Gobo Wheel rot. Stop 225-255 Gobo Wheel rot. Slow -> Fast, CCW
16	20	Gobo 1 Rotation	<b>Rotating Gobo Index:</b> 000-005 Gobo1 Rot. Off 006-128 Gobo Position 0° ... 540° 129-191 Gobo Rotation, Fast -> Slow, CW 192-192 Gobo Rotaion Stop 193-255 Gobo Rotation,Slow -> Fast, CCW
17	21	Gobo 1 Rotation fine	000-255 Gobo indexing fine
			<b>Rotating Gobos2:</b> 000-005 Open 006-016 Gobo 1

			017-027 Gobo 2
			028-038 Gobo 3
			039-049 Gobo 4
			050-060 Gobo 5
			061-071 Gobo 6
			072-082 Gobo 7
			083-097 Gobo 1 shake (slow-fast)
18	22	GoboWheel 2	098-112 Gobo 2 shake (slow-fast)
			113-127 Gobo 3 shake (slow-fast)
			128-142 Gobo 4 shake (slow-fast)
			143-157 Gobo 5 shake (slow-fast)
			158-172 Gobo 6 shake (slow-fast)
			173-187 Gobo 7 shake (slow-fast)
			188-192 Open
			193-223 Gobo Wheel rot. fast ->Slow, CW
			224-224 Gobo Wheel rot. Stop
			225-255 Gobo Wheel rot. Slow -> fast, CCW
19	23	Gobo 2 Rotation	<b>Rotating Gobo 2 Index:</b> 000-005 Gobo1 Rot. Off 006-128 Gobo Position 0° ... 540° 129-191 Gobo Rotation, Fast -> Slow, CW 192-192 Gobo Rotaion Stop 193-255 Gobo Rotation, Slow -> Fast, CCW
20	24	Gobo 2 Rotation fine	000-255 Gobo indexing fine
21	25	Zoom	000-255 narrow to wide
	26	Zoom fine	000-255 narrow to wide
22	27	Focus	000-255 0% to 100%
	28	Focus fine	000-255 0% to 100%
23	29	Iris	<b>Iris:</b> 000-191 Open - Close 192-207 Pulse up, slow -> fast 208-223 Pulse down, slow -> fast 224-239 Random effect, slow -> fast 240-255 Fast Up-Fast Down slow -> fast
24	30	Prism1	<b>Prism1 PrismWheel:</b> 000-005 no Prism 006-255 Prism 1
25	31	Prism1 rotation	<b>Prism 1 rotation:</b> 000-005 Prism Rot. Off 006-128 Prism Position 129-191 Prism Rotation, Fast -> Slow, CW 192-192 Prism Rotation Stop 193-255 Prism Rotation, Slow -> Fast, CCW

26	32	Prism2	PrismWhee2: 000-005 no Prism 006-255 Prism 2
27	33	Prism2 rotation	<b>Prism 2 rotation:</b> 000-005 Prism Rot. Off 006-128 Prism Position 129-191 Prism Rotation, Fast -> Slow, CW 192-192 Prism Rotation Stop 193-255 Prism Rotation, Slow -> Fast, CCW
28	34	Frost1	000-255 0% to 100%
29	35	Frost2	000-255 0% to 100%
30	36	Effect Wheel	<b>Animation1:</b> 000-005 Animation Off 006-063 Animation indexing 064-094 Animation Rotation fast to slow, CW 095-096 No rotation 097-127 Animation Rotation slow to fast, CCW 128-158 Animation Rotation slow to fast, CW to CCW 159-160 No rotation 161-191 Animation Snap. fast to slow, CW 192-193 No rotation 194-224 Animation Snap. slow to fast, CCW 225-255 Animation Snap. slow to fast, CW to CCW
31	37	Blade 1A	000-255 0% - 100%
	38	Blade 1A fine	000-255 0% - 100%
32	39	Blade 1B	000-255 0% - 100%
	40	Blade 1B fine	000-255 0% - 100%
33	41	Blade 2A	000-255 0% - 100%
	42	Blade 2A fine	000-255 0% - 100%
34	43	Blade 2B	000-255 0% - 100%
	44	Blade 2B fine	000-255 0% - 100%
35	45	Blade 3A	000-255 0% - 100%
	46	Blade 3A fine	000-255 0% - 100%
36	47	Blade 3B	000-255 0% - 100%
	48	Blade 3B fine	000-255 0% - 100%
37	49	Blade 4A	000-255 0% - 100%
	50	Blade 4A fine	000-255 0% - 100%
38	51	Blade 4B	000-255 0% - 100%
	52	Blade 4B fine	000-255 0% - 100%

39	53	Shape Rotation	000-255 Rotation from 0 to 120°
	54	Shape Rotation Fine	000-255 0% - 100%
	55	Pan/Tilt Speed	000-255 Pan/Tilt Fast -> Slow
40	56	Set dimmer Mode	<b>Dimmer Mode:</b> 000-020 Standard 021-040 Stage 041-060 TV 061-080 Architectural 081-100 Theater 101-255 Default to U nit Setting
41	57	Device settings	<b>Device settings:</b> 000-005 No function 006-010 On Display Backlight 011-015 OFF Display Backlight 016-020 Invert Pan on (Hold 3s) 021-025 Invert Pan off (Hold 5s) 026-030 Invert Tilt on (Hold 3s) 031-035 Invert Tilt off (Hold 5s) 036-040 Fan Auto (Hold 3s) 041-045 Fan Silent (Hold 3s) 046-050 Fan high (Hold 3s) 051-055 Linear Dimmer Curve (hold 3s) 056-060 Square Dimmer Curve (hold 3s) 061-065 Inv-Square Dimmer Curve (hold 3s) 066-070 S- Dimmer Curve (hold 3s) 071-075 Led Freq. 1200 Hz (hold 3s) 076-080 Led Freq. 3600 Hz (hold 3s) 081-085 Led Freq. 5000 Hz (hold 3s) 086-090 Led Freq. 10.000 Hz (hold 3s) 091-095 Led Freq. 15.000 Hz (hold 3s) 096-100 Led Freq. 20.000 Hz (hold 3s) 101-105 Led Freq. 25.000 Hz (hold 3s) 106-110 P/T motor reset(hold 3s) 111-115 Other motor reset(hold 3s) 116-120 All motor reset(hold 3s) 121-125 Standard Mode 126-130 High CRI 131-135 6500K(default) 136-140 6000K 141-145 3000K 146-150 Gobo CTB auto On(Hold 3s) 151-155 Gobo CTB auto Off(Hold 3s) 156-160 Factory Default(Hold 3s) 161-255 No function

### 9. Control circuit diagram



### 10. Regular maintenance

#### 10.1 Cleaning and maintenance

Lighting fixtures require daily cleaning and maintenance, and their service life largely depends on the operating environment and standards. If you have any questions, please consult our technical engineers for advice. Maintenance and repair work not included in this book should be entrusted to our qualified technical engineers.



**Attention!** Damage caused by dust, e-liquid, or other reasons, as well as abnormal use, is not covered by the warranty.



#### Warning !


Before opening any lid, disconnect the power supply. Cleaning optical components requires gentle wiping as the coating surface is prone to scratching. Do not use damaging liquids or hard objects, as they may damage the plastic or coating surface.

- When the lens is cracked or otherwise damaged, it should be replaced in a timely manner;
- When the brightness significantly decreases, the LED may have reached its expiration date and should be replaced in a timely manner;
- When the fixture cannot start, please check if the fixture power fuse is blown. If it is blown, a fuse of the same specification must be used for installation;
- The fixture is equipped with a temperature protection device. When the temperature is too high, the protection device will automatically reduce power.
- When this situation occurs, please check whether the fan is running normally, whether the fan and fan mesh are clogged with dust, identify the fault and repair it before starting the fixture. Please note that only qualified technicians are allowed to carry out maintenance work;
- To maintain smooth movement of the focusing lens, it is recommended to lubricate the guide rail of the focusing lens every three months. Excellent and high-temperature resistant lubricating grease should be used, and excessive grease should not be used as it can easily dirty adjacent components.

#### 10.2 Fault analysis and handling

Fault description	Analysis	Processing method
No action after power on	Check if the power switch is turned on	Turn on
	Check if the fuse is blown	Replace
	Check if the output of PSU is normal	Detecting voltage
	Check if poor contact in the internal circuit	Reconnect

Uncontrolled lighting fixtures	Check if the DMX signal cable is connected correctly (If there is no signal, the display screen will flash)	Reconnect or replace
	Check if the address code is correct and if the DMX mode of the lighting fixture matches the settings	Reconfirm
	The main control PCB is damaged	Replace
Not bright	LED aging or damage	Replace
	Power PCB malfunction	Check/ Replace
	Loose or poor contact of the circuit	Reconnect
	PSU malfunction	Replace
Automatically turn off or dim the lights	LED aging	Replace
	Damaged cooling fan or abnormal wind speed	Replace
	Check the power output of the fan	Check/ Replace
	The temperature control switch is damaged	Replace
Gobo wheel misalignment or abnormal control	Poor contact of motor wire	Reconnect
	Corresponding motor drive board malfunction	Refixed
	Misalignment or magnetic damage between the magnetic tube and the positioning magnet	Adjust/Replace
	Motor malfunction	Replace
Weak light efficiency and uneven light spot	LED aging	Replace
	LED not centered with the lens	Adjust LED
	The optical mirror has accumulated dust or stains	Clean
	The optical mirror is damaged	Replace
Impure color	Weakening of light efficiency	Replace led PCB
	The color filter has accumulated dust or stains	Clean
	The color filter has been demolded or damaged	Replace

Gobo is unclear	The optical mirror has accumulated dust or stains	Clean
	The optical mirror is damaged	Replace
Head or base fan stops rotating	Check if the fan leads are installed properly or disconnected	Re connect
	Check if the fan is damaged	Replace
	Check if there are any other interfering objects within the operating range of the fan	Adjust
 <b>Attention!</b> The above analysis is for abnormal reference only. Non professionals are not allowed to disassemble and repair the machine		

